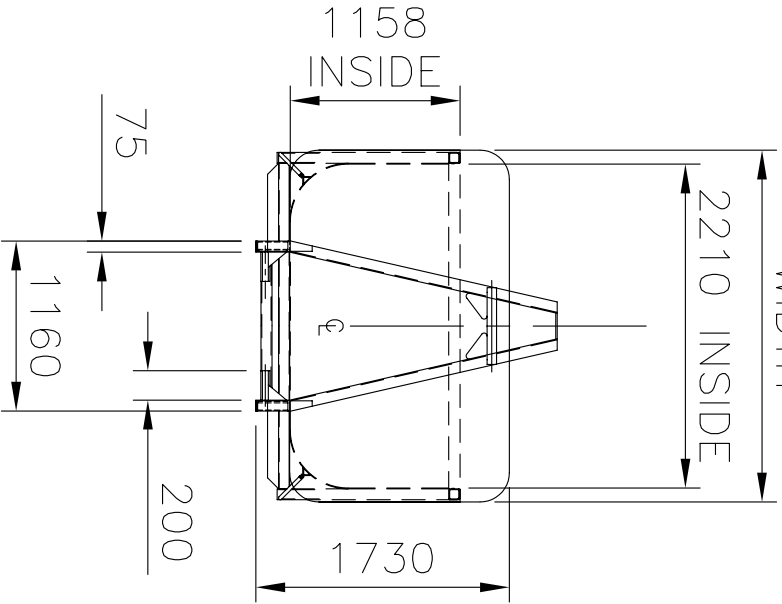


2400 OVERALL WIDTH



2056 O/ALL HEIGHT

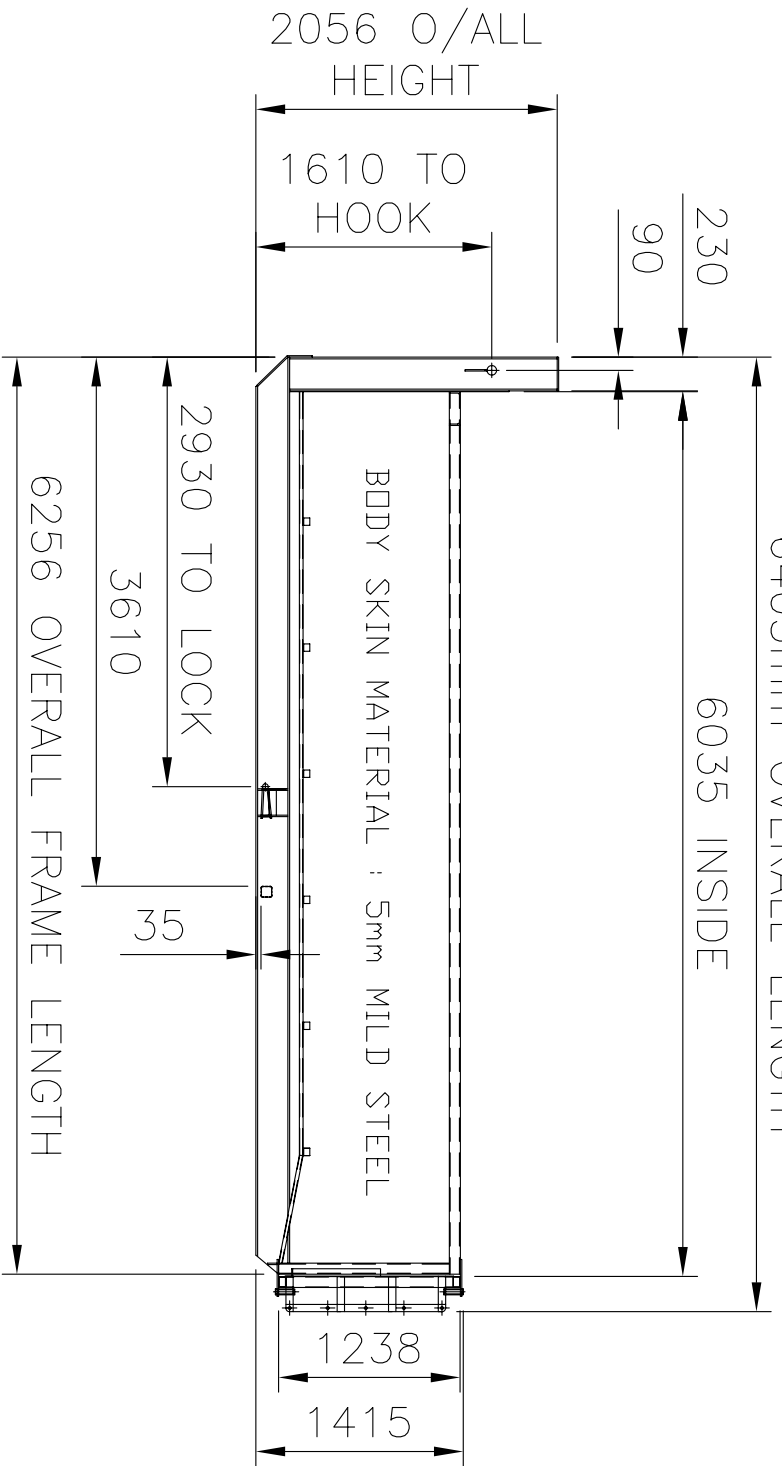
1610 TO HOOK

230

90

6405mm OVERALL LENGTH

6035 INSIDE



BODY SKIN MATERIAL : 5mm MILD STEEL

2930 TO LOCK


3610

35

6256 OVERALL FRAME LENGTH

1238

1415

UNLESS OTHERWISE STATED DIMENSIONS IN MILLIMETERS		PROPERTY OF J.J. ENGINEERING PTY LTD THE INFORMATION ON THIS DRAWING IS CONFIDENTIAL & IS NOT AUTHORISED FOR TRANSFER TO A THIRD PARTY.		DRAFTING STANDARD AS1100				TITLE J.J. RICHARDS ENGINEERING PTY LTD RORO SKIP 15 CUBIC METRES		DRAWN Ron Reinke		DATE 13/05/03		SCALE 1:50	
								APPROVED 44		DRAWING No. J26 - 041				REV A	