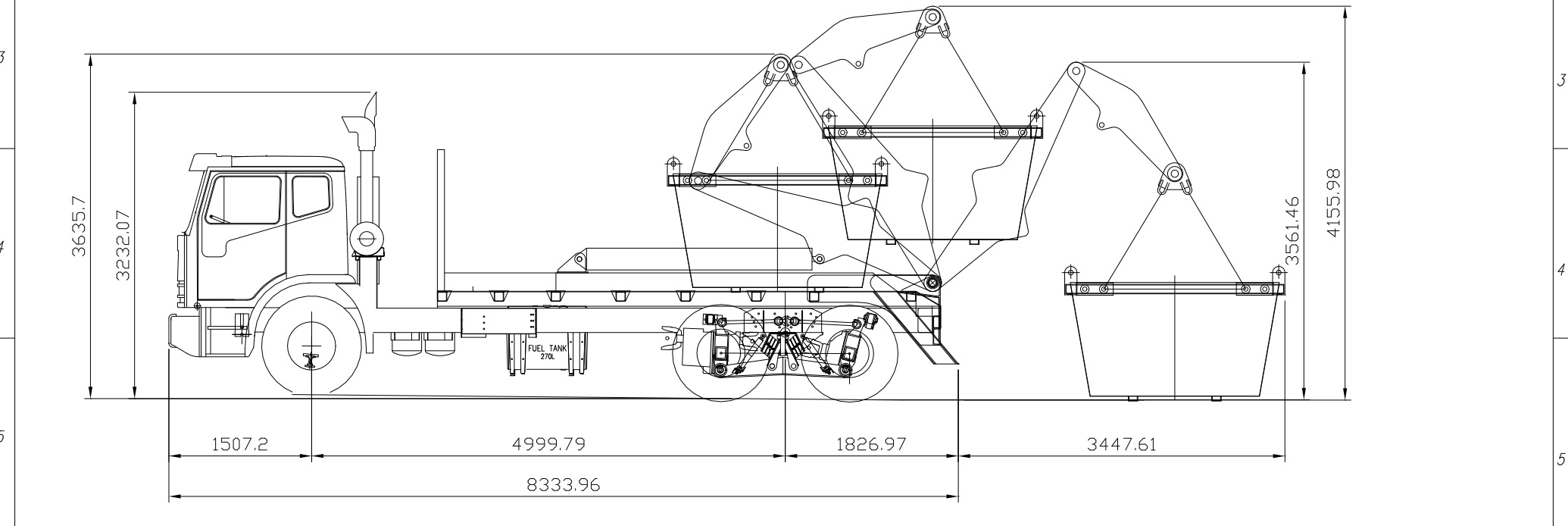


A	B	C	D	E	F	G	H
---	---	---	---	---	---	---	---

ITEM	DRAWING or PART No.	ITEM DESCRIPTION	PRODUCTION	MATERIAL DESCRIPTION
				ACCO 2350 G 4 X 2
				BODY JJEM/12
				CAPACITY NOMINAL 12 TONNE LIFT
				LIFTER J.J.R.E. BI FOLD
				TARE WEIGHT 12 000 KG
				G.V.M. (QLD. & N.S.W.) 22 500 KG
				G.V.M. (VIC.) 22 500 KG
				TURNING RADII
				KERB TO KERB 10.3 M
				WALL TO WALL 11.0 M
				WHEEL BASE 5.00 M
				OVERALL LENGTH 8.33 M
				OVERALL WIDTH 2.48 M
				OVERALL HEIGHT 3.7 M



ITEM	DRAWING or PART No.	ITEM DESCRIPTION	PRODUCTION	MATERIAL DESCRIPTION	LENGTH	MATERIAL	QTY	REMARKS
		PROPERTY OF J.J.RICHARDS ENGINEERING PTY LTD A DIVISION OF J.J. RICHARDS & SONS THE INFORMATION ON THIS DRAWING IS CONFIDENTIAL & IS NOT AUTHORISED FOR TRANSFER TO A THIRD PARTY.						
		UNLESS OTHERWISE STATED DIMENSIONS IN MILLIMETERS TOLERANCES LINEAR : - ± 0.5mm MACHINING : - ± 0.1mm ANGULAR : - ± 0.5°						
		REMOVE ALL SHARP EDGES AND BURRS						
		DRAUGHTING STD : AS1100 DO NOT SCALE						
		ECN NUMBER JJR -						
		SCALE 1 : DRAWN						
		APP'D DATE 10-11-07						
		REV A						
								J26 -209

A	B	C	D	E	F	G	H
---	---	---	---	---	---	---	---