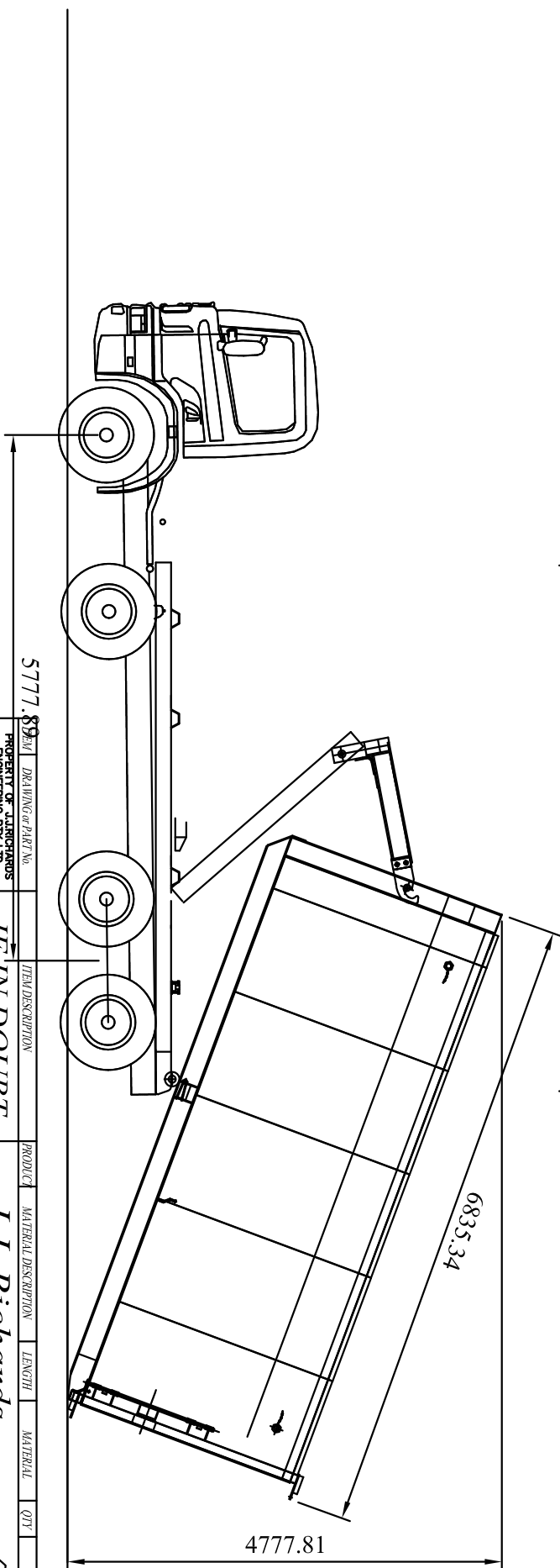
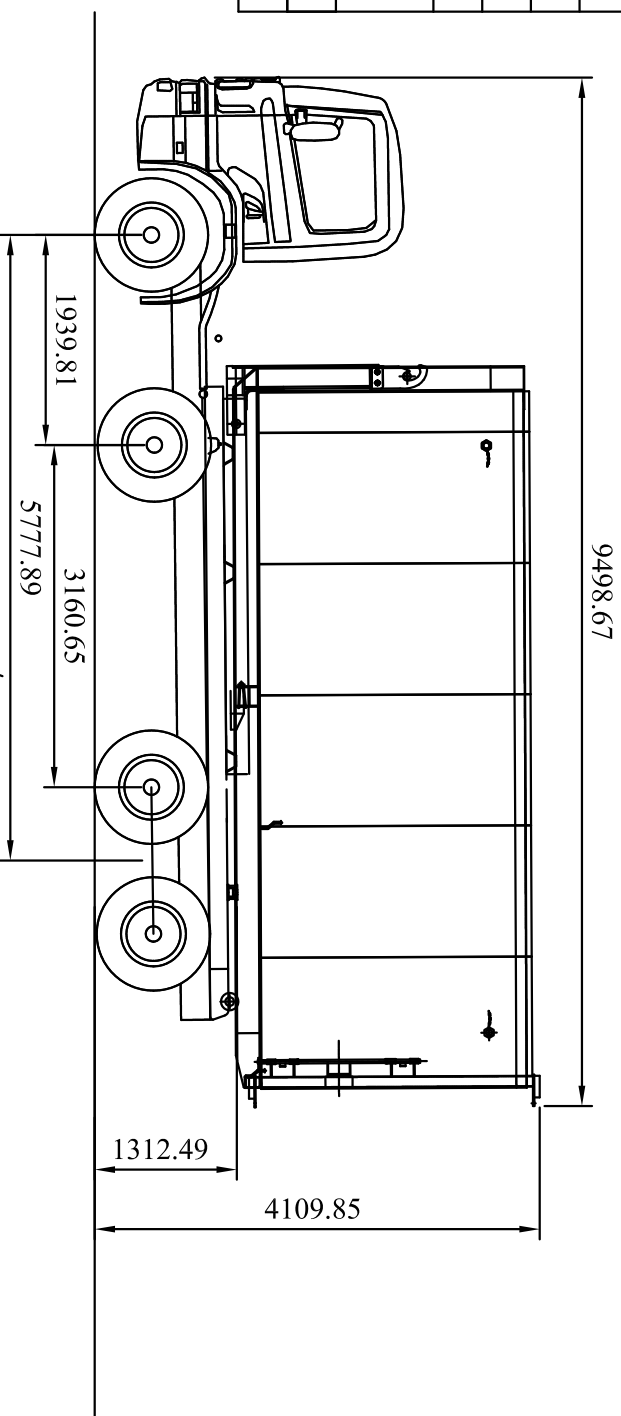


8 X 4 HOOK TRUCK

8X4 SCANIA CHASSIS FITTED WITH Bob ITK20/6L HOOKLIFT UNIT	
TURNING RADIUS -	11.4 M
WALL TO WALL	12.0 M
MAX TIPPING HEIGHT	7.5 M
MIN LOADING HEIGHT WITH 10 CUBIC METRE SKIP	4.4 M
MAX TRAVELLING HEIGHT	4.3 M
MAX OPERATING WEIGHT	27.5 TONNE



ITEM	DRAWING or PART No.	ITEM DESCRIPTION	PRODUCT	MATERIAL DESCRIPTION	LENGTH	MATERIAL	QTY	REMARKS
	5777.89	DRAWING of PART No.						
<p>PROPERTY OF J.J. RICHARDS ENGINEERING PTY LTD. A DIVISION OF J.J. RICHARDS & SONS THE INFORMATION ON THIS DRAWING IS CONFIDENTIAL & IS NOT AUTHORIZED FOR TRANSFER TO A THIRD PARTY.</p> <p>UNLESS OTHERWISE STATED DIMENSIONS IN MILLIMETERS TOLERANCES LINEAR : - ± 0.5mm MACHINING : - ± 0.1mm ANGULAR : - ± 0.5°</p>								
		IF IN DOUBT ASK						
		REMOVE ALL SHARP EDGES AND BURRS						
		ECN NUMBER						
		SCALE						
		DRAWN						
		M/S						
		APPD						
		M/S						
		DATE						
		REV						
		REV DATE						
		A						
		A3-J26-179						

J.J. Richards
Engineering PTY LTD



ITK20/6L HOOK ON 8X4 5.8 m W.B. SCANIA
OVERALL DIMENSIONS WITH 35 METRE TANK